

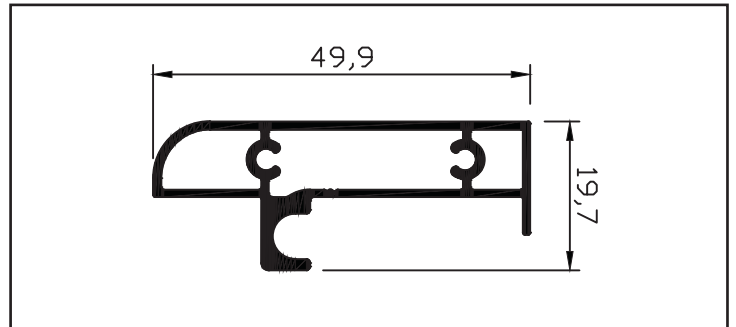




Ray Profili  
Rail Profile

**ALC-15-00216**

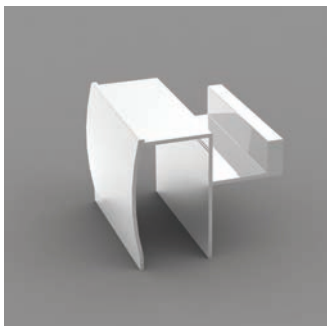
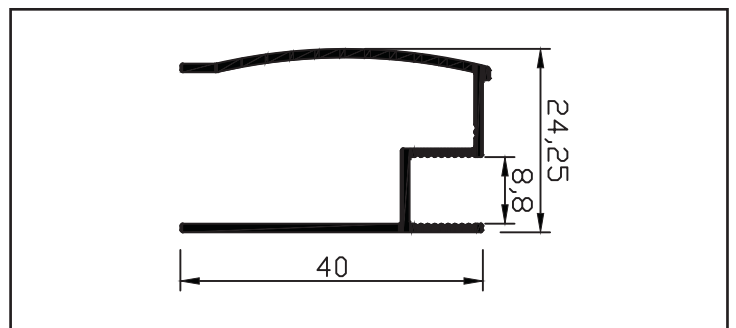
0,718 Kg/m



Cam Dikmesi  
Glass holding profile

**ALC-15-00217**

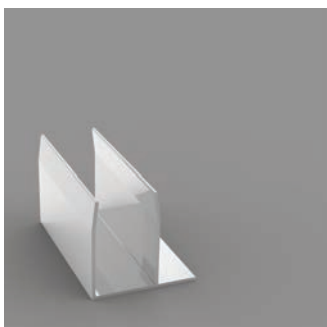
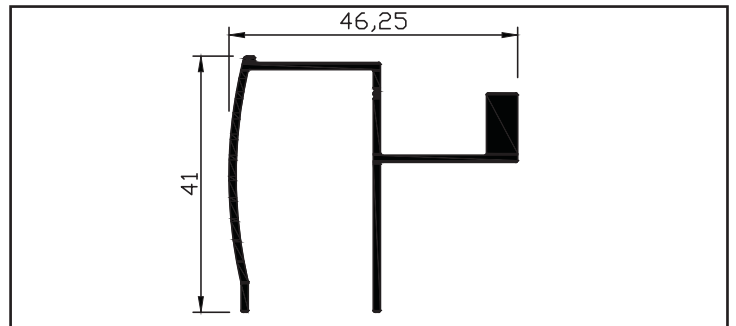
0,667 Kg/m



Cam Dikmesi  
Glass holding profile

**ALC-15-00218**

0,518 Kg/m



Duvar Dikmesi  
Wall (side) Profile

**1075**

0,269 Kg/m

