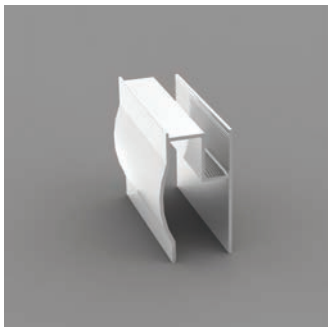
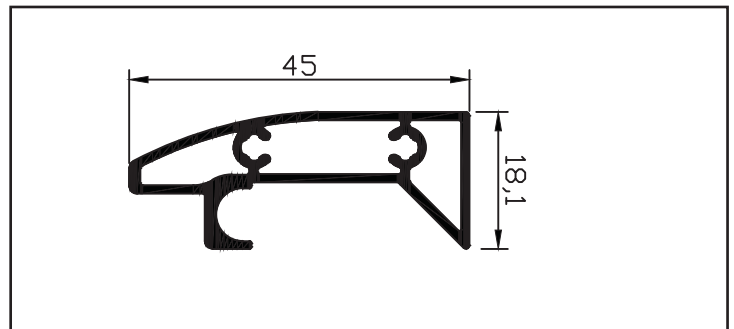


Ray Profili
Rail Profile

ALC-17-00371

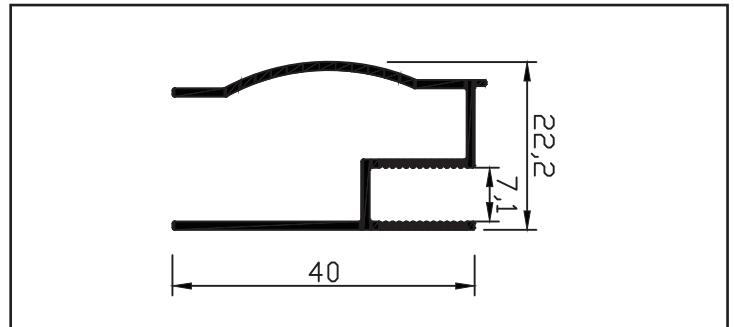
0,481 Kg/m



Cam Dikmesi
Glass holding profile

ALC-16-00372

0,331 Kg/m



Duvar Dikmesi
Wall (side) Profile

ALC-16-00373

0,180 Kg/m

