

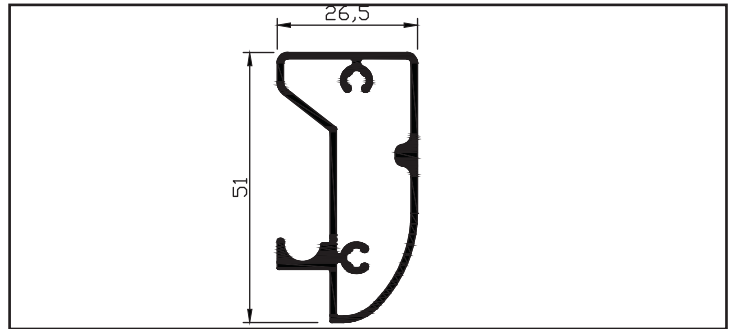




Ray Profili
 Rail Profile

1920

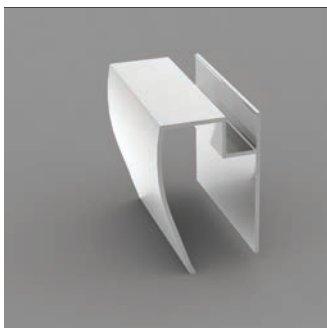
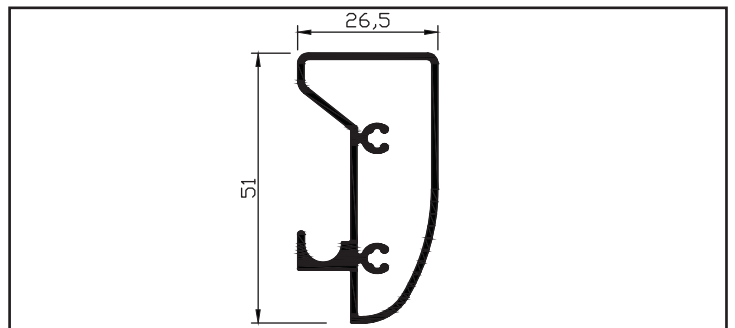
0,651 Kg/m



Ray Profili
 Rail Profile

7609

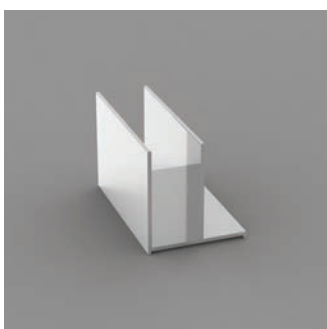
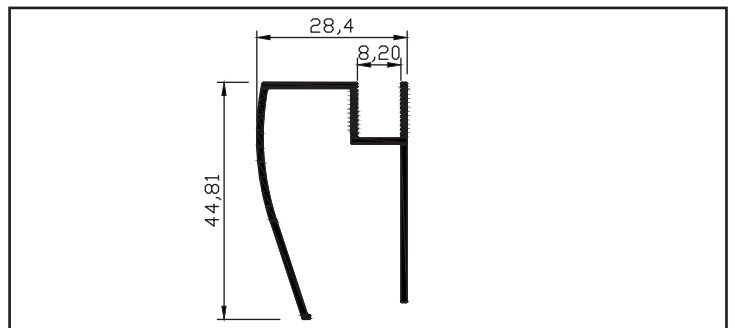
0,613 Kg/m



Cam Dikmesi
 Glass holding profile

7612

0,395 Kg/m



Duvar Dikmesi
 Wall (side) Profile

7660

0,305 Kg/m

