

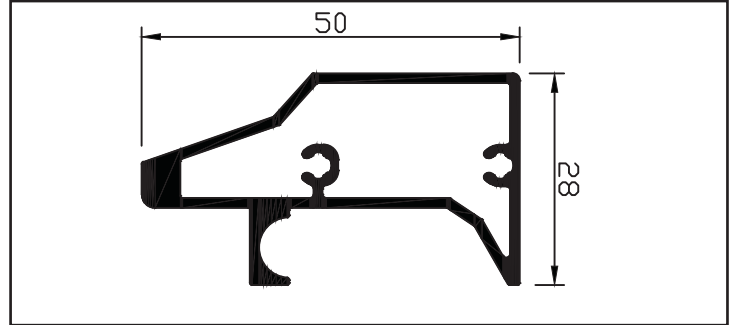




Ray Profili  
Rail Profile

**10098**

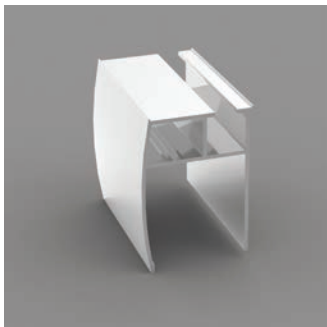
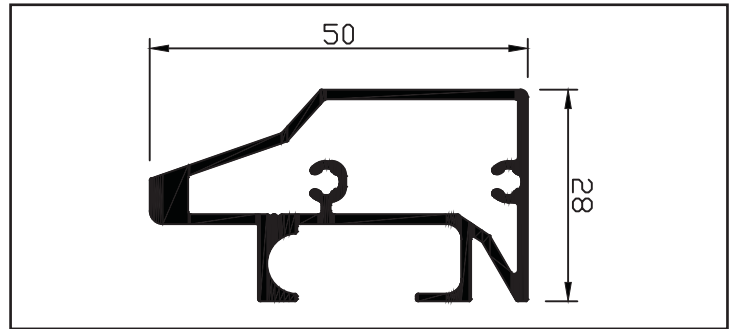
0,666 Kg/m



Ray Profili  
Rail Profile

**ALC-15-00203**

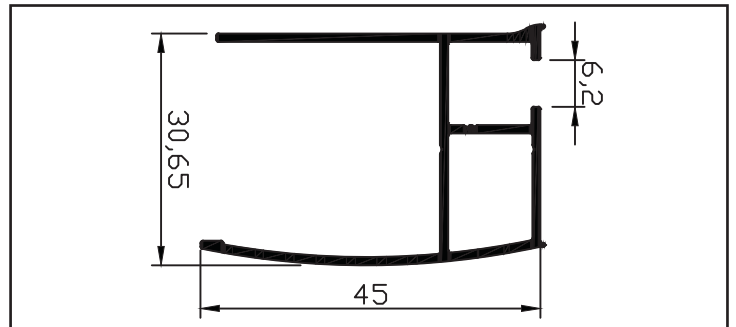
0,718 Kg/m



Cam Dikmesi  
Glass holding profile

**ALC-15-00224**

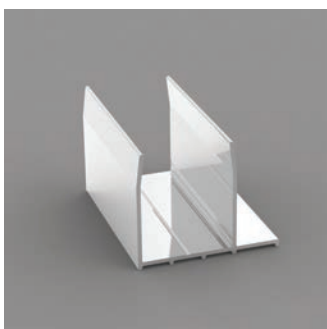
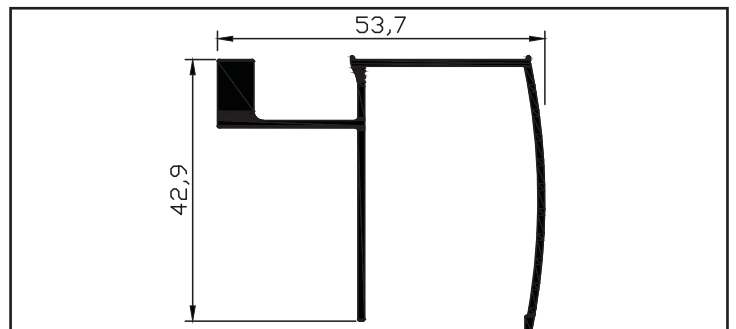
0,447 Kg/m



Ray Bağlantısı  
Ray Connector

**ALC-15-00236**

0,587 Kg/m



Duvar Dikmesi  
Wall (side) Profile

**ALC-15-00225**

0,302 Kg/m

