

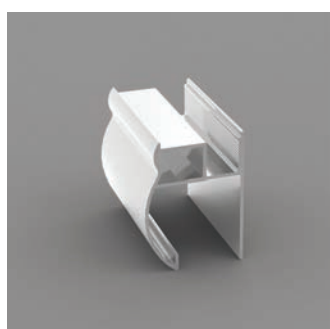
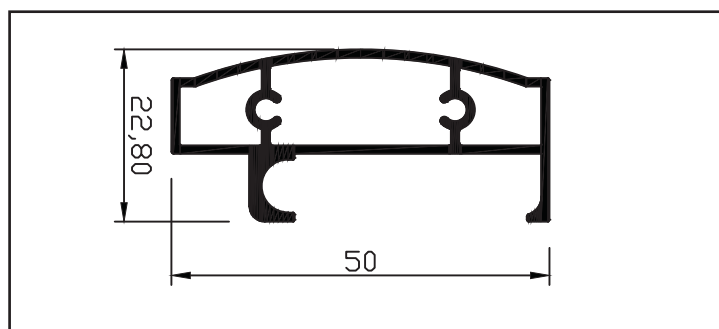




Ray Profili
 Rail Profile

7599

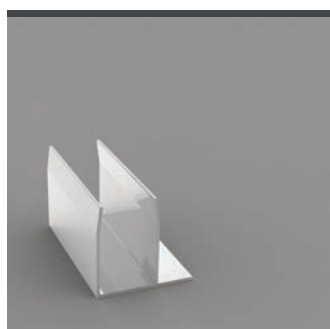
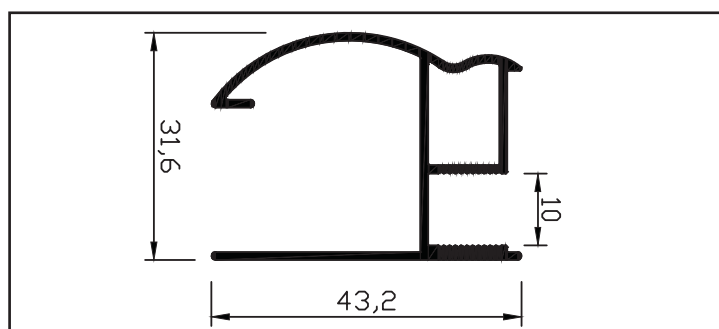
0,550 Kg/m



Cam Dikmesi
 Glass holding profile

7598

0,460 Kg/m



Duvar Dikmesi
 Wall (side) Profile

1075

0,269 Kg/m

