

SIENA

SERIES

Quality and Versatility

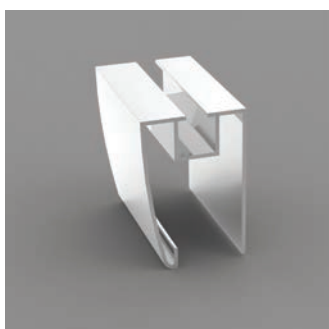
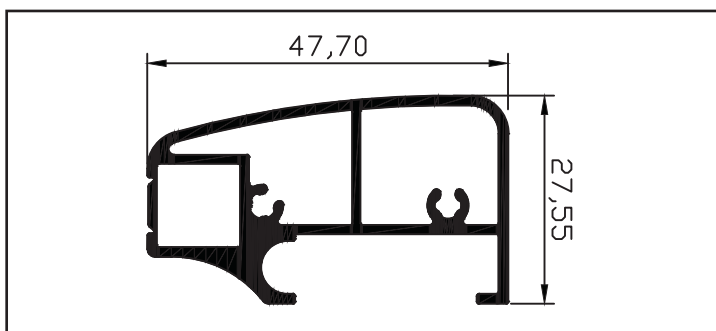




Ray Profili
 Rail Profile

ALC-17-00549

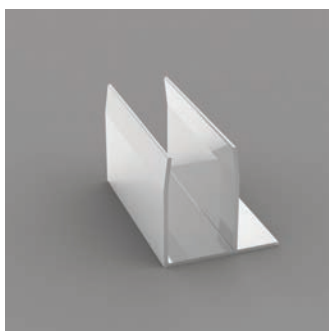
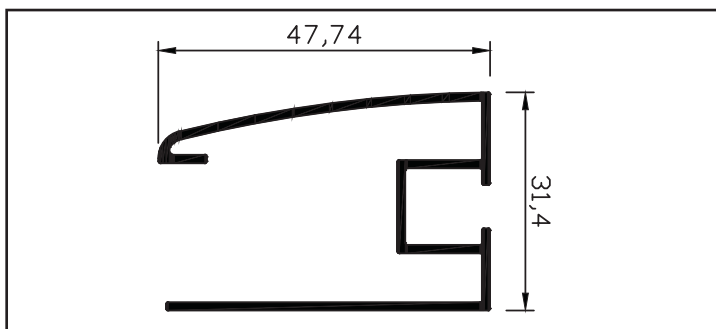
0,750 Kg/m



Cam Dikmesi
 Glass holding profile

ALC-16-00345

0,524 Kg/m



Duvar Dikmesi
 Wall (side) Profile

1075

0,269 Kg/m

