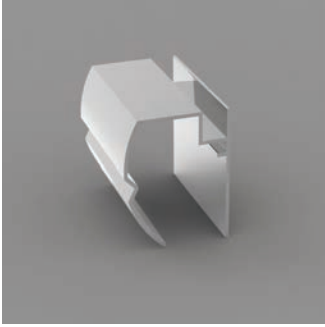
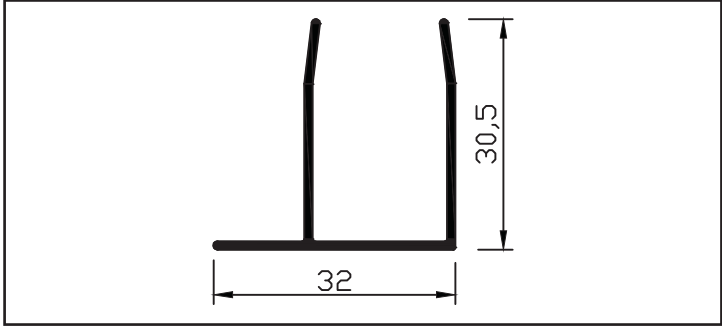


Duvar Dikmesi
Wall (side) Profile

1075

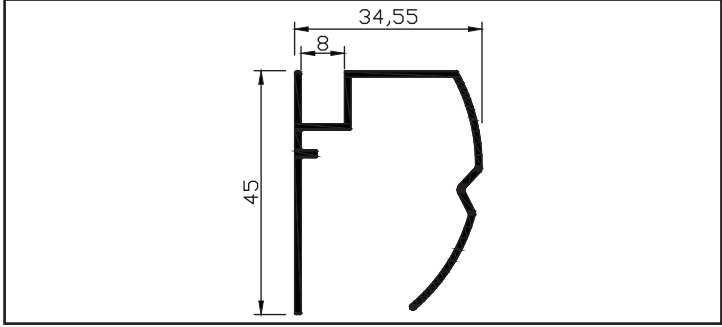
0,269 Kg/m



Cam Dikmesi
Glass holding profile

7271

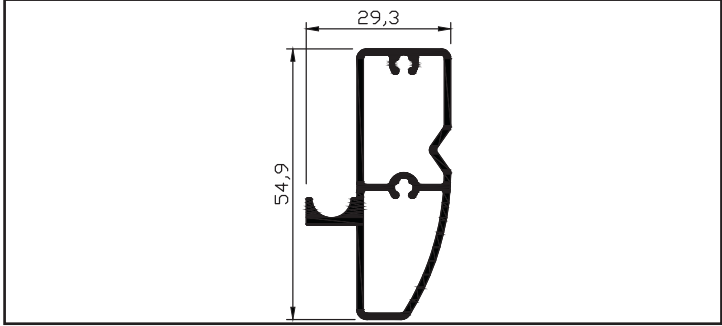
0,443 Kg/m



Ray Profili
Rail Profile

7272

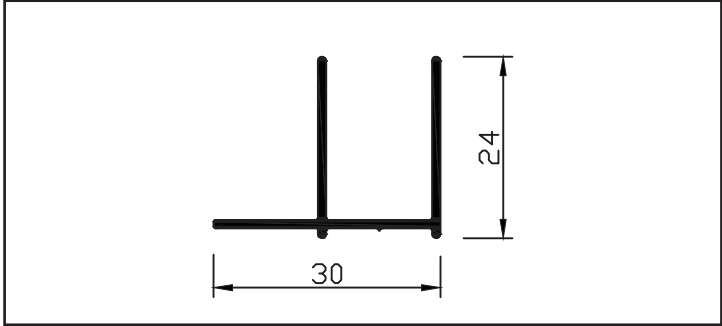
0,664 Kg/m



Duvar Dikmesi
Wall (side) Profile

7443

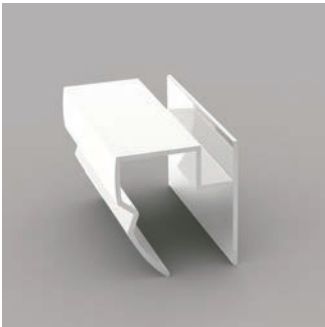
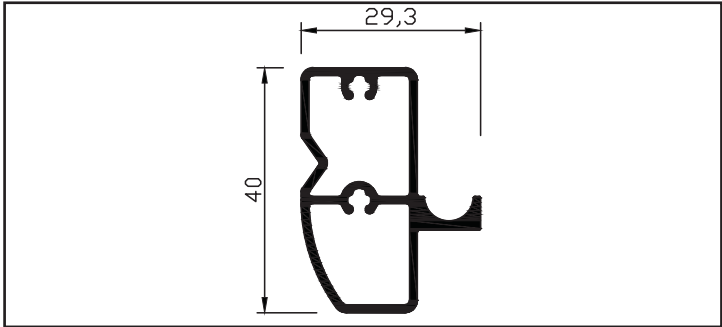
0,224 Kg/m



Ray Profili
Rail Profile

8251

0,567 Kg/m



Cam Dikmesi
Glass holding profile

8252

0,347 Kg/m

