

**VIOLA**  
SERIES

Quality and Versatility

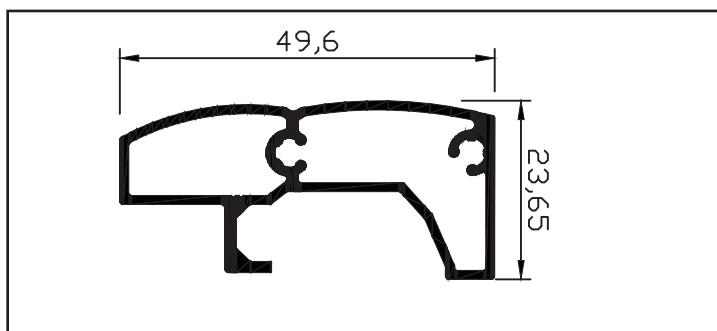




Ray Profili  
Rail Profile

**1924**

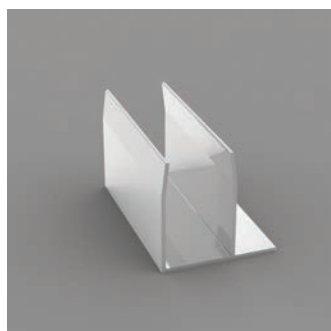
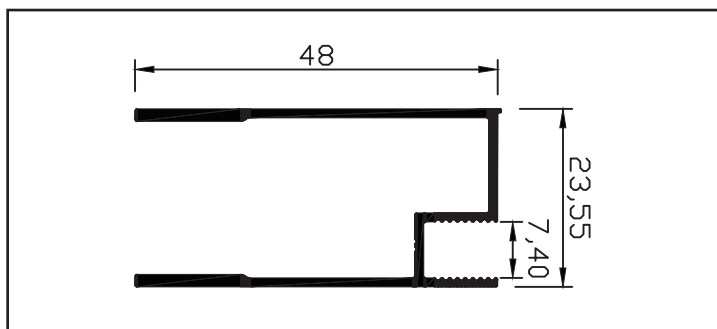
0,589 Kg/m



Cam Dikmesi  
Glass holding profile

**1922**

0,443 Kg/m



Duvar Dikmesi  
Wall (side) Profile

**1075**

0,269 Kg/m

